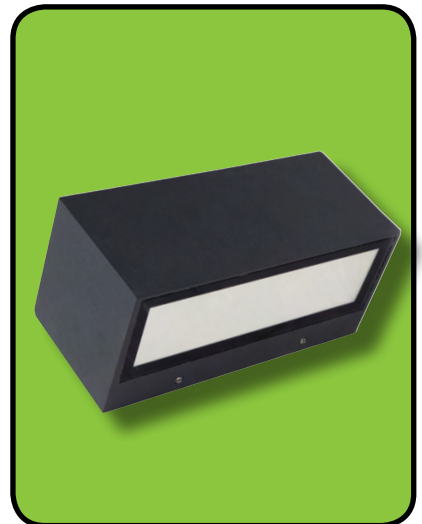


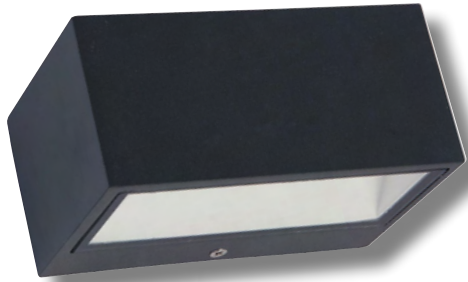
THE ALFRESCO LIGHTING RANGE



**5 Year
Warranty**

LED Up & Down Wall Light - IP54

- ✓ 10.5W, 500 Lumens
- ✓ Heavy Duty Aluminium body with Clear glass diffuser

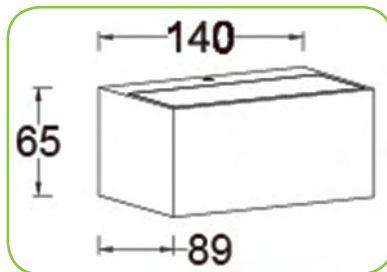


LEDAF2

LED Up & Down Wall Light - IP54
4,000K

LEDAF3

LED Up & Down Wall Light - IP54
3,000K



TECHNICAL INFORMATION

Voltage	230V ~ 240V - 50/60Hz
Wattage	10.5W
Lumens	500
IP rating	IP54
Lamp Type	LED
Class Type	I
No of LED's	14
CRI	80
Housing	Heavy Duty Aluminium Body with Clear Diffuser
Conforms to	BS EN 60598

LED Up & Down Wall Light - IP54

- ✓ 20W, 1230 Lumens
- ✓ Heavy Duty Aluminium body with Clear glass diffuser

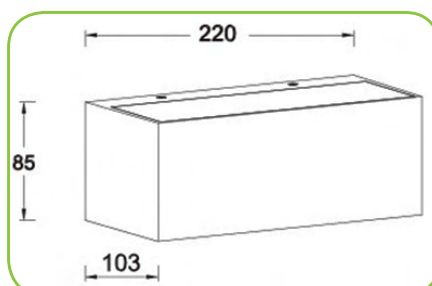


LEDAF4

LED Up & Down Wall Light - IP54
4,000K

LEDAF5

LED Up & Down Wall Light - IP54
3,000K



TECHNICAL INFORMATION

Voltage	230V ~ 240V - 50/60Hz
Wattage	20W
Lumens	1230
IP rating	IP54
Lamp Type	LED
Class Type	I
No of LED's	28
CRI	80
Housing	Heavy Duty Aluminium Body with Clear Diffuser
Conforms to	BS EN 60598

**5 Year
Warranty**



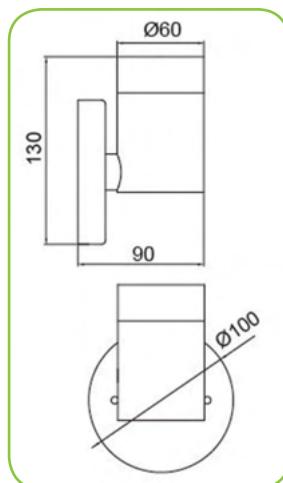
ALFRESCO RANGE

Wall Down Light - IP44

- ✓ 1 x 35W Max
- ✓ GU10 Lamp (Not supplied)
- ✓ Stainless Steel body with glass diffuser

**5 Year
Warranty**

TECHNICAL INFORMATION	
Voltage	230V ~ 240V - 50/60Hz
Wattage	1 x 35W Max
IP rating	IP44
Lamp Type	GU10
Class Type	I
Housing	Stainless Steel Body with Glass Diffuser
Conforms to	BS EN 60598-1



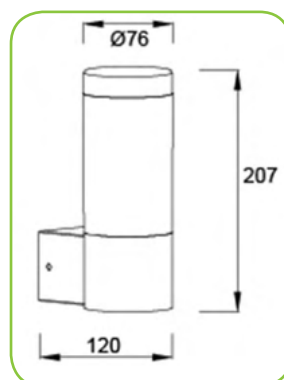
LEDAF18
Wall Down Light - IP44

Wall Light - IP44

- ✓ 3.7W, 350 Lumens
- ✓ 3,000K
- ✓ Stainless Steel body with Clear polycarbonate diffuser
- ✓ Matches Ground Bollard LEDAF7

**5 Year
Warranty**

TECHNICAL INFORMATION	
Voltage	230V ~ 240V - 50/60Hz
Wattage	3.7W
Lumens	350
IP rating	IP44
Colour Temperature	3,000K
Lamp Type	LED
Class Type	I
No of LED's	14
CRI	80
Housing	Stainless Steel Body with Clear Diffuser
Conforms to	BS EN 60598-1



LEDAF6
Wall Light - IP44



Wall Up & Down Light - IP44

- ✓ 2 x 35W Max
- ✓ GU10 Lamp (not supplied)
- ✓ Available in Graphite, Stainless Steel, Copper - Stainless steel body with glass diffuser



LED AF24
Wall Up & Down
Light - IP44, Graphite

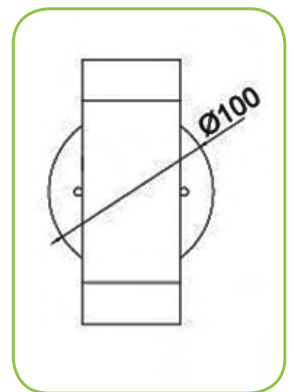
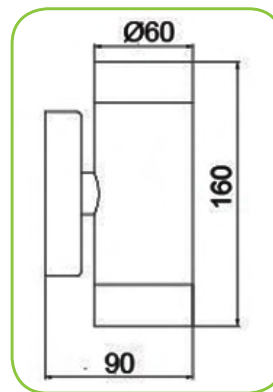


LED AF17
Wall Up & Down
Light - IP44, Stainless
Steel



LED AF22
Wall Up & Down
Light - IP44, Copper

TECHNICAL INFORMATION	
Voltage	230V ~ 240V - 50/60Hz
Wattage	2 x 35W Max
IP rating	IP44
Lamp Type	GU10
Class Type	I
Housing	Stainless Steel / Graphite / Copper Body with Glass Diffuser
Conforms to	BS EN 60598-1



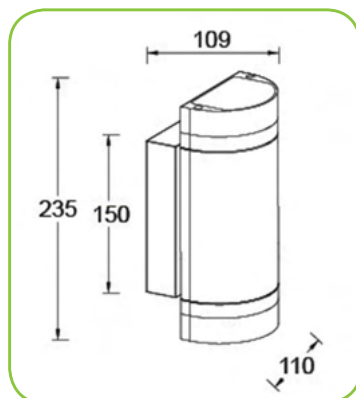
Heavy Duty Wall Up & Down Light - IP44

- ✓ 2 x 35W Max
- ✓ GU10 Lamp (not supplied)
- ✓ Grey Heavy Duty Aluminium body with Clear polycarbonate diffuser

**5 Year
Warranty**



LED AF8
Heavy Duty Wall Up &
Down Light - IP44



TECHNICAL INFORMATION	
Voltage	230V ~ 240V - 50/60Hz
Wattage	2 x 35W Max
IP rating	IP44
Lamp Type	GU10
Class Type	I
Housing	Aluminium Body with Clear Polycarbonate Diffuser
Conforms to	BS EN 60598-1

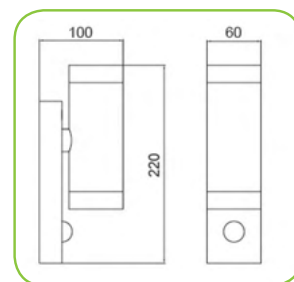


the **LIA**
MEMBER

ALFRESCO RANGE

Up & Down Wall Light with PIR - IP44

- ✓ 2 x 35W Max
- ✓ GU10 Lamp (not supplied)
- ✓ Complete with PIR
- ✓ With override facility
- ✓ Available in Graphite, Stainless Steel, Copper - Stainless steel body with glass diffuser



LEDAF25
Up & Down Wall
Light with PIR -
IP44, Graphite

LEDAF20
Up & Down Wall
Light with PIR
- IP44, Stainless Steel

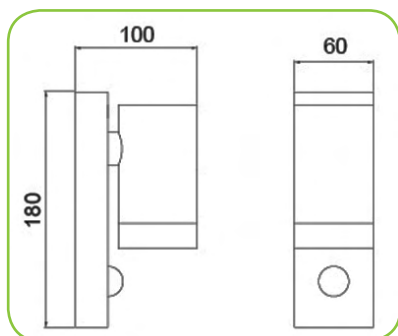
LEDAF23
Up & Down Wall
Light with PIR
- IP44 Copper

TECHNICAL INFORMATION

Voltage	230V ~ 240V - 50/60Hz
Wattage	2 x 35W Max
IP rating	IP44
Lamp Type	GU10
Class Type	I
Detection Angle	120°
Detection Distance	4 - 8 Metres
Time Delay	(10±5) Secs to (4±1) Min
Mount Height	2.5 Metres
Housing	Stainless Steel/Graphite/Copper Body with Glass Diffuser
Conforms to	BS EN 60598-1

Down Wall Light with PIR - IP44

- ✓ 1 x 35W Max
- ✓ GU10 Lamp (not supplied)
- ✓ Complete with PIR
- ✓ With override facility
- ✓ Stainless Steel body with glass diffuser



LEDAF21
Down wall Light
with PIR - IP44

TECHNICAL INFORMATION

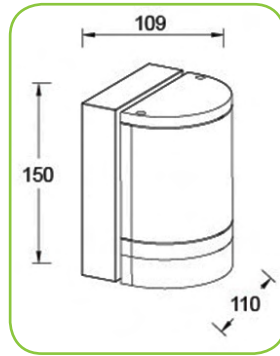
Voltage	230V ~ 240V - 50/60Hz
Wattage	1 x 35W Max
IP rating	IP44
Lamp Type	GU10
Class Type	I
Detection Angle	120°
Detection Distance	4 - 8 Metres
Time Delay	(10±5) Secs to (4±1) Min
Mount Height	2.5 Metres
Housing	Stainless Steel Body with Glass Diffuser
Conforms to	BS EN 60598-1



Heavy Duty Wall Downlight - IP44

- ✓ 1 x 35W Max
- ✓ GU10 Lamp (not supplied)
- ✓ Grey Heavy Duty Aluminium body with Clear polycarbonate diffuser

**5 Year
Warranty**



TECHNICAL INFORMATION	
Voltage	230V ~ 240V - 50/60Hz
Wattage	1 x 35W Max
IP rating	IP44
Lamp Type	GU10
Class Type	I
Housing	Aluminium Body with Clear Polycarbonate Diffuser
Conforms to	BS EN 60598-1

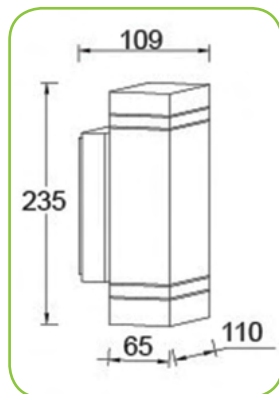
LEDAF9

Heavy Duty Wall Downlight - IP44

LED Up & Down Wall Light - IP44

- ✓ 7.6W, 300 Lumens
- ✓ 4,000K
- ✓ Grey Heavy Duty Aluminium body with Clear polycarbonate diffuser

**5 Year
Warranty**



TECHNICAL INFORMATION	
Voltage	230V ~ 240V - 50/60Hz
Wattage	7.6W
Lumens	300
IP rating	IP44
Colour Temperature	4,000K
Lamp Type	LED
Class Type	I
No of LED's	6
CRI	80
Housing	Heavy Duty Aluminium Body with Clear Diffuser
Conforms to	BS EN 60598

LEDAF10

LED Up & Down Wall Light - IP44



the **LIA**
MEMBER

ALFRESCO RANGE

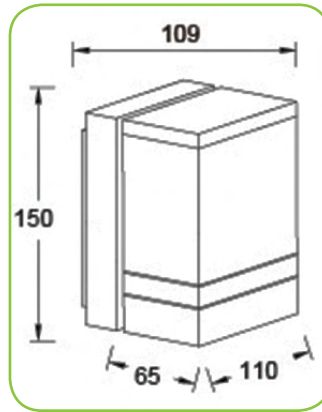


LED Wall Downlight - IP44

- ✓ 3.8W, 150 Lumens
- ✓ 4,000K
- ✓ Grey - Heavy Duty Aluminium body with Clear polycarbonate diffuser

**5 Year
Warranty**

TECHNICAL INFORMATION	
Voltage	230V ~ 240V - 50/60Hz
Wattage	3.8W
Lumens	150
IP rating	IP44
Colour Temperature	4,000K
Lamp Type	LED
Class Type	I
No of LED's	3
CRI	80
Housing	Heavy Duty Aluminium Body with Clear Diffuser
Conforms to	BS EN 60598



LEDAF11
LED Wall Downlight - IP44

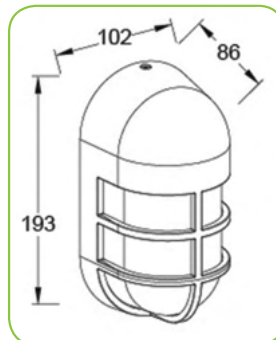
LED Wall Light - IP54

- ✓ 15W, 700 Lumens
- ✓ 3,000K
- ✓ Available in - Grey or Rusted Brown Heavy Duty Aluminium body with Opal polycarbonate diffuser

**5 Year
Warranty**

TECHNICAL INFORMATION	
Voltage	230V ~ 240V - 50/60Hz
Wattage	15W
Lumens	700
IP rating	IP54
Colour Temperature	3,000K
Lamp Type	LED
Class Type	I
No of LED's	15
CRI	80
Housing	Heavy Duty Aluminium Body with Opal Diffuser
Conforms to	BS EN 60598-1

LEDAF12
LED Wall Light
Grey - IP54



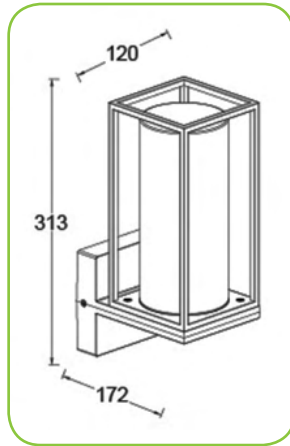
LEDAF13
LED Wall Light
Rusted Brown - IP54



Heavy Duty Wall Light with PIR - IP44

**5 Year
Warranty**

- ✓ 40W Max
- ✓ E27 Lamp (not supplied)
- ✓ Complete with PIR
- ✓ With override facility
- ✓ Matt Black Heavy Duty Aluminium body with Clear glass diffuser



TECHNICAL INFORMATION

Voltage	230V ~ 240V - 50/60Hz
Wattage	40W Max
IP rating	IP54
Lamp Type	E27
Class Type	I
Detection Distance	0 - 7 Metres
Time Delay	5 Secs Min to 3 Mins Max
Mount Height	2.5 Metres
Housing	Aluminium Body with Glass Diffuser
Conforms to	BS EN 60598-1

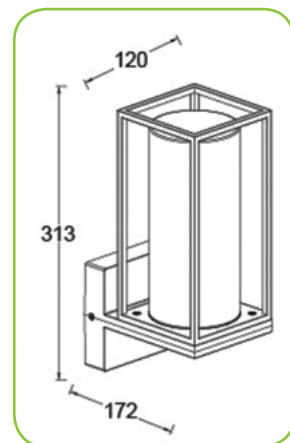
LEDAF15

Heavy Duty Wall Light
with PIR - IP44

Heavy Duty Wall Light - IP44

**5 Year
Warranty**

- ✓ 40W Max
- ✓ E27 Lamp (not supplied)
- ✓ Matt Black Heavy Duty Aluminium body with Clear glass diffuser



TECHNICAL INFORMATION

Voltage	230V ~ 240V - 50/60Hz
Wattage	40W Max
IP rating	IP44
Lamp Type	E27
Class Type	I
Housing	Aluminium Body with Glass Diffuser
Conforms to	BS EN 60598-1

LEDAF14

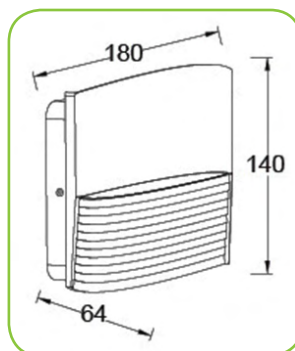
Heavy Duty Wall Light

LED Down Wall Light- IP54

- ✓ 11W, 500 Lumens
- ✓ 3,000K
- ✓ Heavy Duty Aluminium body with Clear polycarbonate diffuser

**5 Year
Warranty**

TECHNICAL INFORMATION	
Voltage	230V ~ 240V - 50/60Hz
Wattage	11W
Lumens	500
IP rating	IP54
Colour Temperature	3,000K
Lamp Type	LED
Class Type	I
No of LED's	14
CRI	80
Housing	Heavy Duty Aluminium Body with Clear Diffuser
Conforms to	BS EN 60598



LEDAF1
LED Down Wall Light

LED Recessed Ground Spot Light - IP67

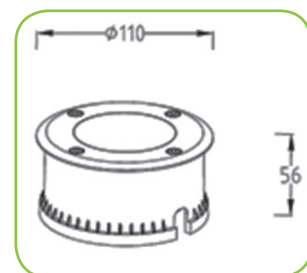
- ✓ 6.5W, 630 Lumens
- ✓ 4,000K
- ✓ Supplied with IP65 In-line connector
- ✓ Heavy Duty Aluminium body with Clear glass diffuser

**5 Year
Warranty**

TECHNICAL INFORMATION	
Voltage	230V - 240V ~ 50/60Hz
Wattage	6.5W
Lumens	630
IP rating	IP67 (In-line connector IP65)
Colour Temperature	4,000K
Lamp Type	LED
Class Type	I
No of LED's	11
CRI	80
Housing	Heavy Duty Aluminium Body with Clear Diffuser
Conforms to	BS EN 60598



LEDAF16
LED Recessed Ground
Spot Light - IP67



the **LIA**
MEMBER

Ground Spike Light - IP44

- ✓ 1 x 35 Max
- ✓ GU10 Lamp (not supplied)
- ✓ Complete with IP68 loop in / loop out connector
- ✓ Stainless Steel body with glass diffuser

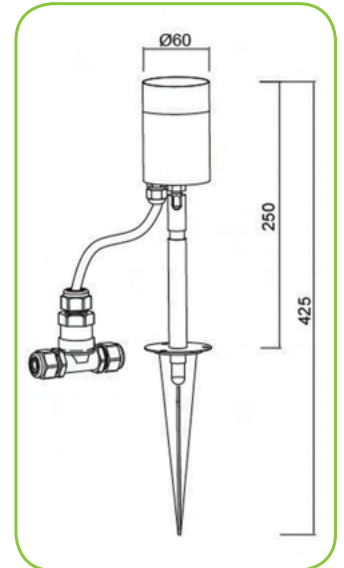
**5 Year
Warranty**



LEDAF19
Ground Spike Light
- IP44, Stainless Steel

LEDAF26
Ground Spike Light
- IP44, Graphite

TECHNICAL INFORMATION	
Voltage	230V ~ 240V - 50/60Hz
Wattage	1 x 35W Max
IP rating	IP44
Lamp Type	GU10
Class Type	I
Housing	Stainless Steel Body with Glass Diffuser & Graphite - Stainless Steel body with glass diffuser
Conforms to	BS EN 60598-1



LED Ground Bollard - IP44

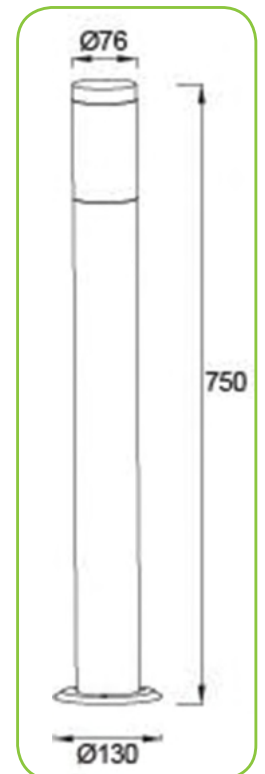
- ✓ 3.7W, 350 Lumens
- ✓ 3,000K
- ✓ Stainless Steel body with Clear polycarbonate diffuser
- ✓ Matches Wall Downlight LEDAF6

**5 Year
Warranty**

LEDAF7
LED Ground
Bollard
- IP44



TECHNICAL INFORMATION	
Voltage	230V ~ 240V - 50/60Hz
Wattage	3.7W
Lumens	350
IP rating	IP44
Colour Temperature	3,000K
Lamp Type	LED
Class Type	I
No of LED's	14
CRI	80
Housing	Stainless Steel Body with Clear Diffuser
Conforms to	BS EN 60598



ALFRESCO RANGE

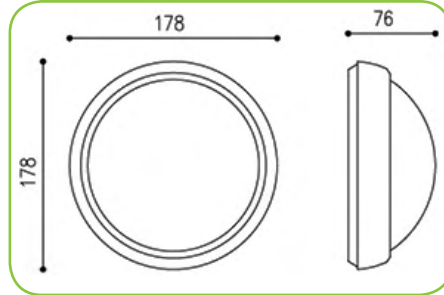


LED Round Bulkhead - IP65

- ✓ 6W, 430 Lumens
- ✓ 3,000K
- ✓ Black trim
- ✓ ABS & polycarbonate body with opal polycarbonate diffuser

**5 Year
Warranty**

TECHNICAL INFORMATION	
Voltage	230V - 240V ~ 50/60Hz
Wattage	6W
Lumens	430
IP rating	IP65
Colour Temperature	3,000K
Lamp Type	LED
Class Type	II
No of LED's	14
CRI	80
Housing	ABS & Polycarbonate Body with Opal Diffuser
Conforms to	BS EN 60598



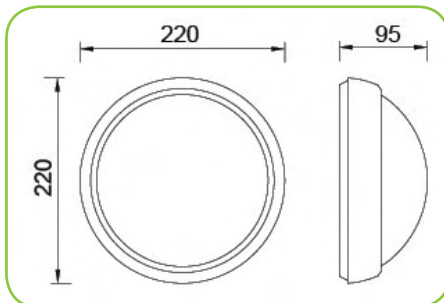
LEDAF27
LED Round Bulkhead - IP65

LED Round Bulkhead - IP65

- ✓ 12W, 900 Lumens
- ✓ 3,000K
- ✓ White trim
- ✓ ABS & polycarbonate body with opal polycarbonate diffuser

**5 Year
Warranty**

TECHNICAL INFORMATION	
Voltage	230V - 240V ~ 50/60Hz
Wattage	12W
Lumens	900
IP rating	IP65
Colour Temperature	3,000K
Lamp Type	LED
Class Type	II
No of LED's	28
CRI	80
Housing	ABS & Polycarbonate Body with Opal Diffuser
Conforms to	BS EN 60598



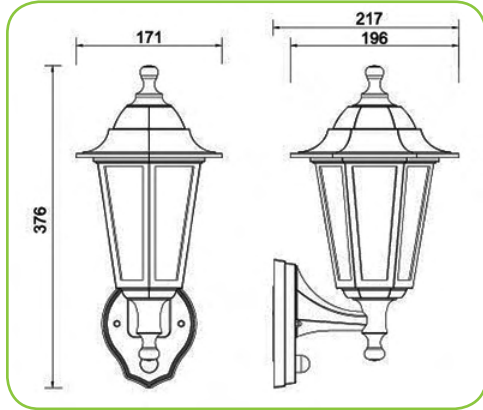
LEDAF28
LED Round Bulkhead - IP65



Wall Lantern with PIR - IP44

- ✓ 1 x 60W Max
- ✓ E27 Lamp (not supplied)
- ✓ Complete with PIR
- ✓ With override facility
- ✓ Plastic body with glass diffuser

**5 Year
Warranty**



TECHNICAL INFORMATION	
Voltage	230V - 240V ~ 50/60Hz
Wattage	1 x 60W Max
IP rating	IP44
Lamp Type	E27
Class Type	II
Detection Distance	0 - 8 Metres
Time Delay	90 Secs
Mount Height	2.5 Metres
Housing	Plastic Body with Glass Diffuser
Conforms to	BS EN 60598-1

LEDAF32

Wall Lantern with PIR - IP44

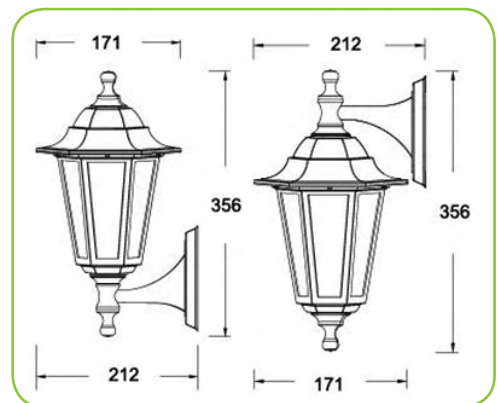
Wall Lantern - IP44

- ✓ 1 x 60W Max
- ✓ E27 Lamp (not supplied)
- ✓ Choice of wall mounts
- ✓ Plastic body with glass diffuser

**Choice of
wall mounts**



TECHNICAL INFORMATION	
Voltage	230V - 240V ~ 50/60Hz
Wattage	1 x 60W Max
IP rating	IP44
Lamp Type	E27
Class Type	II
Housing	Plastic Body with Glass Diffuser
Conforms to	BS EN 60598-1



LEDAF31

Wall Lantern - IP44

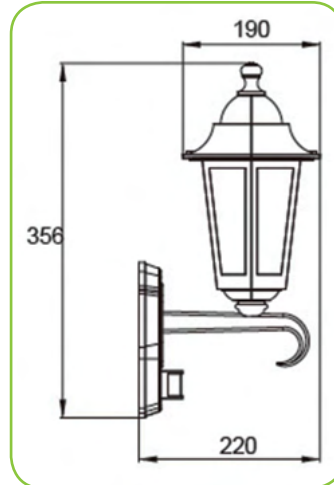


Aluminium Wall Lantern with PIR - IP44

- ✓ 1 x 60W Max
- ✓ E27 Lamp (not supplied)
- ✓ Complete with PIR
- ✓ With override facility
- ✓ Heavy Duty Aluminium body with glass diffuser

**5 Year
Warranty**

TECHNICAL INFORMATION	
Voltage	230V - 240V ~ 50/60Hz
Wattage	1 x 60W Max
IP rating	IP44
Lamp Type	E27
Class Type	I
Detection Angle	120°
Detection Distance	3 - 12 Metres
Time Delay	10 Secs Min to 5 Mins Max
Mount Height	2-5 Metres
Housing	Aluminium Body with Glass Diffuser
Conforms to	BS EN 60598-1



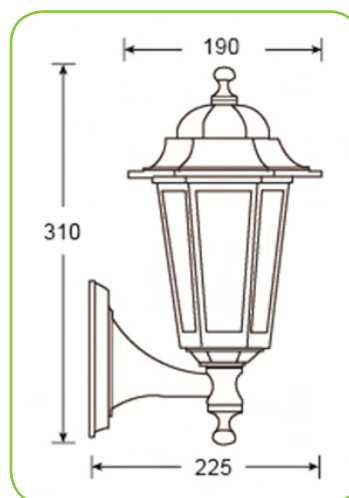
LEDAF30
Wall Lantern with PIR -
IP44

Aluminium Wall Lantern - IP44

- ✓ 1 x 60W Max
- ✓ E27 Lamp (not supplied)
- ✓ Heavy Duty Aluminium body with glass diffuser

**5 Year
Warranty**

TECHNICAL INFORMATION	
Voltage	230V - 240V ~ 50/60Hz
Wattage	1 x 60W Max
IP rating	IP44
Lamp Type	E27
Class Type	I
Housing	Aluminium Body with Glass Diffuser
Conforms to	BS EN 60598-1



LEDAF29
Wall Lantern - IP44

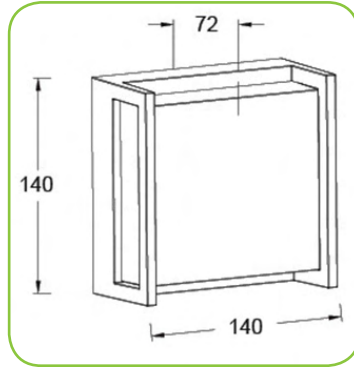


the **LIA**
MEMBER

LED Wall Light - IP54

- ✓ 8.5W, 650 Lumens
- ✓ 3,000K
- ✓ Heavy Duty Aluminium body with Opal polycarbonate diffuser

**5 Year
Warranty**



LEDAF42

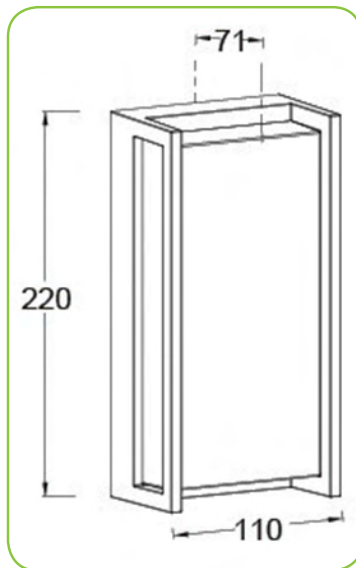
LED Wall Light - IP54

TECHNICAL INFORMATION	
Voltage	230V - 240V ~ 50/60Hz
Wattage	8.5W
Lumens	650
IP rating	IP54
Colour Temperature	3,000K
Lamp Type	LED
Class Type	I
No of LED's	15
CRI	80
Housing	Heavy Duty Aluminium Body with Opal Diffuser
Conforms to	BS EN 60598

LED Tall Wall Light - IP54

- ✓ 18W, 1100 Lumens
- ✓ 3,000K
- ✓ Heavy Duty Aluminium body with Opal polycarbonate diffuser

**5 Year
Warranty**



TECHNICAL INFORMATION	
Voltage	230V - 240V ~ 50/60Hz
Wattage	18W
Lumens	1100
IP rating	IP54
Colour Temperature	3,000K
Lamp Type	LED
Class Type	I
No of LED's	42
CRI	80
Housing	Heavy Duty Aluminium Body with Opal Diffuser
Conforms to	BS EN 60598



LEDAF43

LED Tall Wall Light -

IP54

the **LIA**
MEMBER

ALFRESCO RANGE

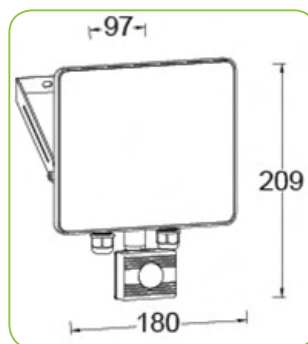
LED Floodlight with PIR

- ✓ 30W, 2700 lumens
- ✓ 5,000K
- ✓ With override facility
- ✓ Louvre clip on cover available - LEDAF38
- ✓ Heavy Duty Aluminium body with clear glass diffuser

TECHNICAL INFORMATION	
Voltage	230V - 240V ~ 50/60Hz
Wattage	30W
Lumens	2700
IP rating	IP54
Colour Temperature	5,000K
Lamp Type	LED
Class Type	I
No of LED's	42
CRI	80
Detection Distance	0 - 12 Metres
Time Delay	10 secs to 10 mins
Mount Height	2.5 Metres
Housing	Heavy Duty, Aluminium Body with Clear Diffuser
Conforms to	BS EN 60598



LEDAF36
LED Floodlight
with PIR - IP54



LEDAF38 - Pk Qty 8
Louvre Clip on Panel for
LEDAF35 & LEDAF36 -
Reduces Glare

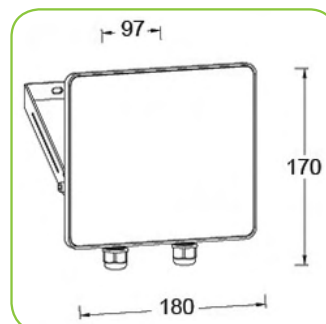
LED Floodlight - IP65

- ✓ 30W, 2700 lumens
- ✓ 5,000K
- ✓ Louvre clip on cover available - LEDAF38
- ✓ Heavy Duty Aluminium body with clear glass diffuser

TECHNICAL INFORMATION	
Voltage	230V - 240V ~ 50/60Hz
Wattage	30W
Lumens	2700
IP rating	IP65
Colour Temperature	5,000K
Lamp Type	LED
Class Type	I
No of LED's	42
CRI	80
Housing	Heavy Duty Aluminium Body with Clear Diffuser
Conforms to	BS EN 60598



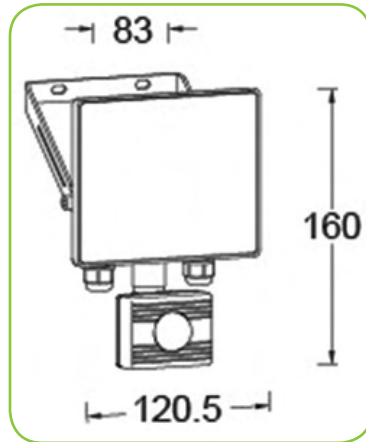
LEDAF35
LED Floodlight
- IP65



**5 Year
Warranty**

LED Floodlight with PIR - IP54

- ✓ 10W, 900 Lumens
- ✓ 5,000K
- ✓ With override facility
- ✓ Louvre clip on cover available - LEDAF37
- ✓ Heavy Duty Aluminium body with clear glass diffuser

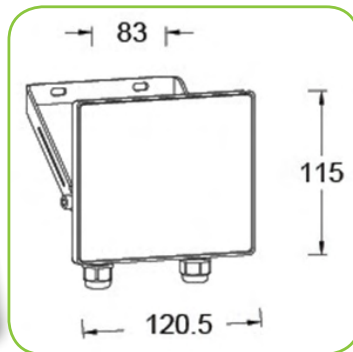


LEDAF34
LED Floodlight
with PIR - IP54

TECHNICAL INFORMATION	
Voltage	230V - 240V ~ 50/60Hz
Wattage	10W
Lumens	900
IP rating	IP54
Colour Temperature	5,000K
Lamp Type	LED
Class Type	I
No of LED's	15
CRI	80
Detection Distance	0 - 12 Metres
Time Delay	10 secs to 10 mins
Mount Height	2.5 Metres
Housing	Heavy Duty Aluminium Body with Clear Diffuser
Conforms to	BS EN 60598

LED Floodlight - IP54

- ✓ 10W, 900 Lumens
- ✓ 5,000K
- ✓ Louvre clip on cover available - LEDAF37
- ✓ Heavy Duty Aluminium body with clear glass diffuser



LEDAF33
LED Floodlight
- IP54

LEDAF37 - Pk Qty 8
Louvre Clip on Panel for
LEDAF33 & LEDAF34 -
Reduces Glare

**5 Year
Warranty**

TECHNICAL INFORMATION	
Voltage	230V - 240V ~ 50/60Hz
Wattage	10W
Lumens	900
IP Rating	IP65
Colour Temperature	5,000K
Lamp Type	LED
Class Type	I
No of LED's	15
CRI	80
Housing	Heavy Duty Aluminium Body with Clear Diffuser
Conforms to	BS EN 60598



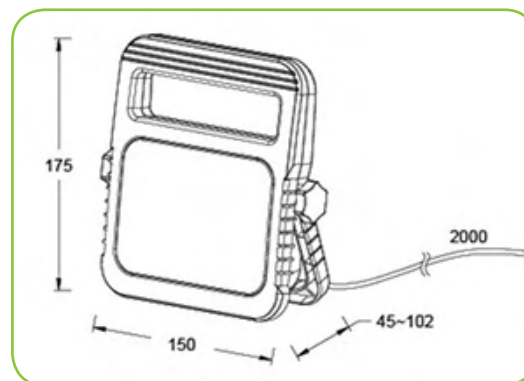
ALFRESCO RANGE SITE LIGHTING RANGE

**5 Year
Warranty**

IP54 PORTABLE WORK LIGHT - 11W

- ✓ 110V
- ✓ 1040 Lumens
- ✓ 5,000K
- ✓ ABS & Polycarbonate body with clear diffuser

TECHNICAL INFORMATION	
Voltage	110V ~ 50/60Hz
Wattage	11W
Lumens	1040
IP Rating	IP54
Colour Temperature	5,000K
Lamp Type	LED
Class Type	I
No of LED's	8
CRI	80
Housing	ABS & Polycarbonate Body with Clear Polycarbonate Diffuser
Conforms to	BS EN 60598



LEDAF41
11W Portable
Work Light - IP54



the **LIA**
MEMBER

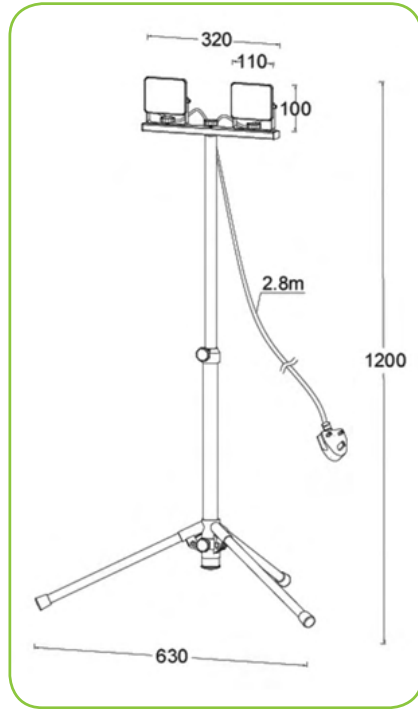
ALFRESCO RANGE SITE LIGHTING RANGE

IP65 TRIPOD - 2 x 10W

- ✓ 600 Lumens
- ✓ 5,000K
- ✓ Heavy Duty Aluminium body with tempered glass diffuser



LEDAF39
IP65 Tripod -
2 x 10W



LEDAF40
IP65 Tripod -
2 x 20W

**5 Year
Warranty**

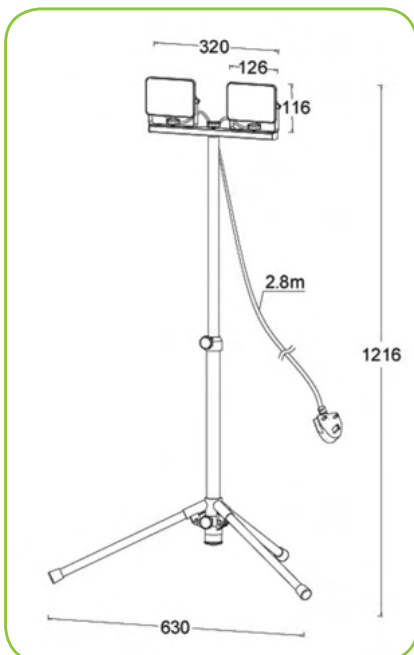


TECHNICAL INFORMATION

Voltage	230V - 240V ~ 50/60Hz
Wattage	2 x 10W
Lumens	1600
IP Rating	IP65
Colour Temperature	5,000K
Lamp Type	LED
Class Type	I
No of LED's	30
CRI	80
Housing	Heavy Duty Aluminium Body with Tempered Glass Diffuser
Conforms to	BS EN 60598

IP65 TRIPOD - 2 x 20W

- ✓ 3200 Lumens
- ✓ 5,000K
- ✓ Heavy Duty Aluminium body with tempered glass diffuser



TECHNICAL INFORMATION

Voltage	230V ~ 240V - 50/60Hz
Wattage	2 x 20W
Lumens	3200
IP Rating	IP65
Colour Temperature	5,000K
Lamp Type	LED
Class Type	I
No of LED's	56
CRI	80
Housing	Heavy Duty Aluminium Body with Tempered Glass Diffuser
Conforms to	BS EN 60598

ALFRESCO RANGE SITE LIGHTING RANGE

- ✓ Three switch setting - off/60%/100% light output
- ✓ 4 hours illumination at 100% light output
- ✓ Quality lithium battery
- ✓ Padded hand grip
- ✓ Plastic body - metal stand
- ✓ Floodlight tilts up and down on stand
- ✓ Complete with mains charger and car charger

*Gives 4 hours working time
- at 100% light output*

**'Cool to run - eliminate the
fire/safety risks associated with
halogen site lighting'**

	LEDFLP10N	LEDFLP20N
Product Finish	Yellow	
Product Dimensions	W125 x D135 x H240mm	W165 x D165 x H300mm
Voltage	230V AC ~ 50Hz	
Product Weight	0.923kg	1.427kg
Class	II	
Barcode	5012739 644313	5012739 644320
IP Rating	IP65	
Luminaire Lumens Output	500 / 50 lm/W	1350 / 68 lm/W
Lamp Type	LED	
Beam Angle	120°	
Lamp life expectancy	30,000 hrs of light	
Colour Temperature	6,500K Cool Daylight	
Input Voltage	8.4V 1 AMP DC	
Max Wattage	10W	20W
Wall Charger	Input: 230V AC - 50/60Hz Output: 8.4V DC 1 AMP	
Car Charger	Input: 12 - 24V DC Output: 8.4V DC 1 AMP	
Charging Time	5 Hours (approx)	
CRI	>72	
Battery	Lithium 2 x 2200 mAh	Lithium 4 x 2200 mAh
Guarantee	3 Years	
Certification & Conformity	EN 60598-1, EN 60598-2-5, EN 62493, EN 62471, EN 61347-1, EN 61347-2-13, EN 60950-1	



LEDFLP10N

10W
6,500K
500 lm, 50 lm/W
2 x 2200 mAh Lithium Battery (supplied)
Dimensions - 125 x 135 x 240mm



LEDFLP20N

20W
6,500K
1350 lm, 68 lm/W
4 x 2200 mAh Lithium Battery (supplied)
Dimensions - 165 x 165 x 300mm

**GREEN
BROOK**
ELECTRICAL

West Road . Harlow . Essex . CM20 2BG

Follow us on -

