



PHOENIX RANGE

EMERGENCY LIGHTING



WWW.GREENBROOK.CO.UK



Welcome to the GreenBrook Emergency Lighting Range

Every building has a specific requirement for emergency lighting, the role of which is to take over from the normal lighting provision in the event of a power failure; but the responsibilities are now much more clearly defined.

It is now considered that emergency lighting is a primary factor in the fire safety and should enable occupants to immediately locate fire-fighting equipment and alarms, as well as exits. Emergency lighting installations are also examined as part of a building's overall fire precautions risk assessment.

BS5266 Emergency Lighting Part 1: Code of practice for the emergency lighting of premises: this standard determines the way Designers and Facilities managers approach emergency lighting ensuring the positioning of emergency lighting is uniform and consistently applied to premises.

Emergency escape lighting should illuminate the following:-

Each exit door - where the exit route or final exit is not readily identifiable or familiar to the occupants, signs should be used with a pictogram of the person moving towards the doorway, rather than just a lighting unit

Escape routes

Intersection of corridors

Outside each final exit and on external escape routes

Emergency escape signs

Stairways, ensuring each flight receives adequate light

Changes in floor level

Install in all toilets exceeding 8m² area or where natural light is not present

fire-fighting equipment

Fire alarm call points

Equipment that would need to be shut down in an emergency or a high risk task area Lifts

Open Area in premises greater than 60m² or with an escape route passing through

GreenBrook offer a selection of maintained (on constantly) and non-maintained (only operated during power failure) products. All GreenBrook products are tested to the latest British Standard with full test certificates, photometric data and Lighting level check schemes available on request.



IP65 2.5W LED Emergency Mini Bulkhead

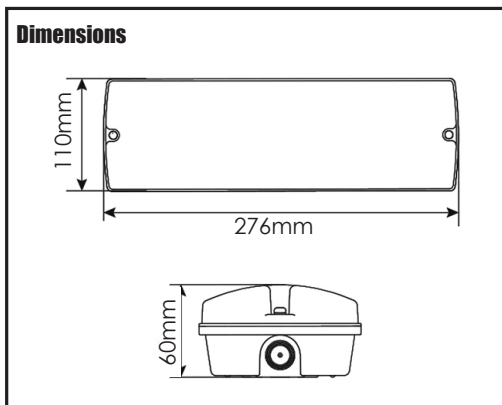
Cost effective emergency luminaires for interior and exterior applications. Constructed from impact resistant high gloss polycarbonate and can be wall or ceiling mounted.

- ✓ Hinged gear tray
- ✓ Quick Connect terminals
- ✓ Legend pack included as shown below
- ✓ Facility for remote switching
- ✓ 4 x 20mm entry points (one at each end, one on side & one on the back of unit)
- ✓ Built in battery protection & charge indicator
- ✓ Link changeable to Maintained / Non-Maintained
- ✓ Emergency operation duration 3 Hours
- ✓ 3 Year Guarantee



ELLEDBULK
Mini LED Bulkhead Unit

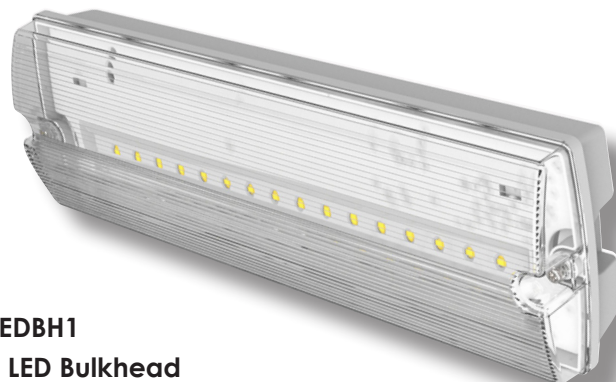
Non-Maintained / Maintained



	ELLEDBULK
Description	Led Mini Bulkhead
Barcode	5012739645389
Voltage	220-240V ~ 50/60Hz
Emergency Power	2.5W
Lumen Output Mains	170 lumens
Lumen Output Battery	110 lumens
Emergency Duration	3 Hours
IP Rating	IP65
Power Factor	0.2
Class Type	I
Colour Temperature	6500K
Ambient Temperature	0°C - 40°C
Function	Maintained
Battery Type	Li-FePO4 18650 / 3.2V / 1000mAh
Dimensions (mm)	L276 x W110 x D60mm
LED Model & Qty	2835 /14 pieces
Charge Time	24 Hours
Beam Angle	120°
Deep Discharge Protection Voltage	3V
Overcharged Protection Voltage	3.6V
Mounting Type	Surface Mounting
Material	Polycarbonate
RAL Colour	RAL 9003
Entry Points	20mm
Product Weight	426g
Guarantee	3 Years
Conforms To	BS EN60598-2-22:2014+A1 BS EN IEC 60598-1:2021 BS EN 62471:2008 BS EN 62493:2015

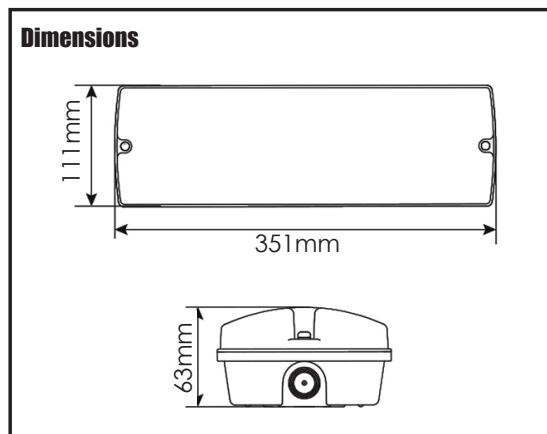
IP65 3W LED Emergency Bulkhead

- ✓ Quick Connect terminals
- ✓ Facility for remote switching
- ✓ 3 x 20mm entry points (one at each end & one on the side)
- ✓ Built in battery protection & charge indicator
- ✓ Hinged Gear Tray
- ✓ Emergency operation duration 3 Hours
- ✓ Link chargeable to Maintained / Non Maintained
- ✓ Legend pack included
- ✓ 3 Year Guarantee



ELLEDBH1
3W LED Bulkhead

Non-Maintained / Maintained



	ELLEDBH1
Description	Led Bulkhead
Barcode	5012739647550
Voltage	220-240V ~ 50.60Hz
Emergency Power	3W
Lumens	150 lumens
Emergency Duration	3 Hours
IP Rating	IP65
Class Type	II
Colour Temperature	6500K
Ambient Temperature	0°C - 45°C
Function	Maintained
Battery Type	Ni-Cd 3.6V / 1.5Ah
Dimensions (mm)	L351 x W111 x D63mm
Charge Time	24 Hours
Beam Angle	120°
Mounting Type	Surface Mounting
Material	Polycarbonate
Entry Points	20mm
Product Weight	610g
Guarantee	3 Years
Conforms To	BS EN60598-2-22:2014+A1 BS EN IEC 60598-1:2021 BS EN 62471:2008 BS EN 62493:2015



Complete with vinyl self adhesive legends which can make - Arrow down, Arrow Up, Arrow Right & Arrow Left as required

* Products may differ slightly from those shown

IP65 10W LED Emergency Bulkhead - N/M

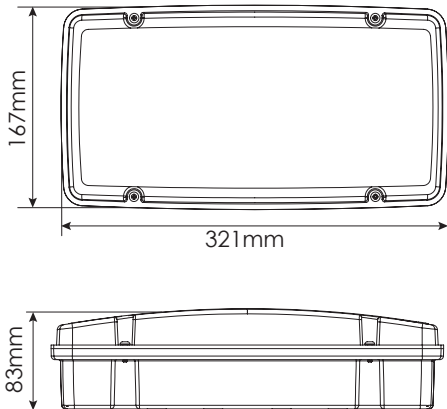
Heavy Duty emergency luminaires with selectable lumen output.

- ✓ 1000lm/1500lm selectable lumen output
- ✓ Polycarbonate construction
- ✓ Gear tray integrated into diffuser for easy installation
- ✓ Non-maintained
- ✓ 3 hour emergency
- ✓ Standard and self test options
- ✓ Surface mount
- ✓ Emergency operation duration 3 Hours
- ✓ 3 Year Guarantee



**GBGMHOEMWH
LED Emergency
Bulkhead Unit**

Non-Maintained / Self Test



Selectable Lumen Output

Spacing Data (1 Lux)

Mounting Height (m)	2.50	5.52	13.03	14.48	16.75	6.94
	3.00	6.10	14.38	16.75	18.88	7.81

	GBGMHOEMWH	GBGMHOSTEMWH
Description	Guard Max HO Emerg Bulkhead IP65 WH	Guard Max HO ST Emerg Bulkhead IP65 WH
Barcode	5012739654961	5012739654978
Voltage	AC220-240V / 50/60Hz	
Emergency Power	10W	
Lumen Output Mains	1000lm / 1500lm selectable	
Emergency Duration	3 Hours	
IP Rating	IP65	
Power Factor	>0.3	
Class Type	II	
Colour Temperature	6500k	
Ambient Temperature	5°C - 45°C	
Function	Non Maintained	Self Test
Battery Type	Li-FePO4 6.4V6.6Ah	
Dimensions (mm)	L321 x W167 x D83mm	
Charge Time	24 Hours	
Beam Angle	135°	
Mounting Type	Surface Mounting	
Material	Polycarbonate	
RAL Colour	RAL 9003	
Entry Points	7 x 20m O/D	
Product Weight	1.65kg	
Guarantee	3 Years	
Conforms To	BS EN60598-2-22:2014+A1 BS EN IEC 60598-1:2021 BS EN 62471:2008 BS EN 62493:2015	

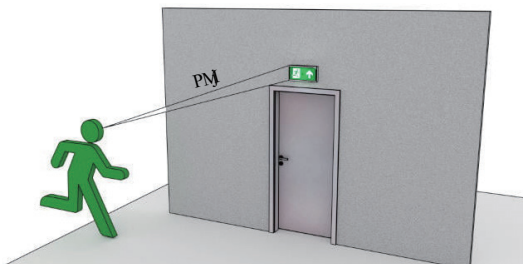


IP20 3W LED Emergency Exit Sign

- ✓ Maintained
- ✓ Wall/Ceiling Exit Sign
- ✓ Separate kits available for recessed, suspended and flag mounting
- ✓ Viewing distance 30m
- ✓ LED Indicator
- ✓ Supplied with arrow up legend
- ✓ Other options available - Self test
- ✓ Emergency operation duration 3 hours



Viewing Distance



Legends



RAZLEGDOWN
Down Arrow Legend



RAZLEGLR
Reversible Left & Right Arrow Legend

RAZEMEXITSGNUP	
Description	LED Exit Sign supplied with 'Up' legend
Barcode	5012739 654770
Voltage	220-240V ~ 50.60Hz
Emergency Power	3W
Emergency Lumens	22.84 lumens
IP Rating	IP20
Viewing Distance	30m
Emergency Duration	3 Hours
Colour Temperature	6500K
Ambient Temperature	5°C - 45°C
Function	Maintained
Battery Type	LiFePO4 3.2V 1.1Ah
Dimensions (mm)	L313 x W212 x D42mm
Beam Angle	235°
Mounting Type	Ceiling / Recessed / Suspended Flag / Wall mounting
Material	Polycarbonate
RAL Colour	RAL 9003
Product Weight	512g
Guarantee	3 years
Conforms to	BS EN60598-2-22:2014+A1 BS EN IEC 60598-1:2021 BS EN 62471:2008 BS EN 62493:2015

	RAZSUSPKIT	RAZRECKIT	RAZFLAGMNTKIT
Description	Suspension Mounting Kit	Recess Mounting Kit	Flag Mounting Kit
Barcode	5012739654800	5012739654794	5012739654787
Material	Polycarbonate		
RAL Colour	RAL 9003		
Product Weight	212g	204g	130g
Guarantee	3 years		
Conforms to	BS EN60598-2-22:2014+A1, BS EN IEC 60598-1:2021, BS EN 62471:2008, BS EN 62493:2015		

IP20 3W LED Emergency Exit Sign - Mounting Kit Options



Suspended

RAZSUSPKIT



Recessed

RAZRECKIT



Flag

RAZFLAGMNTKIT



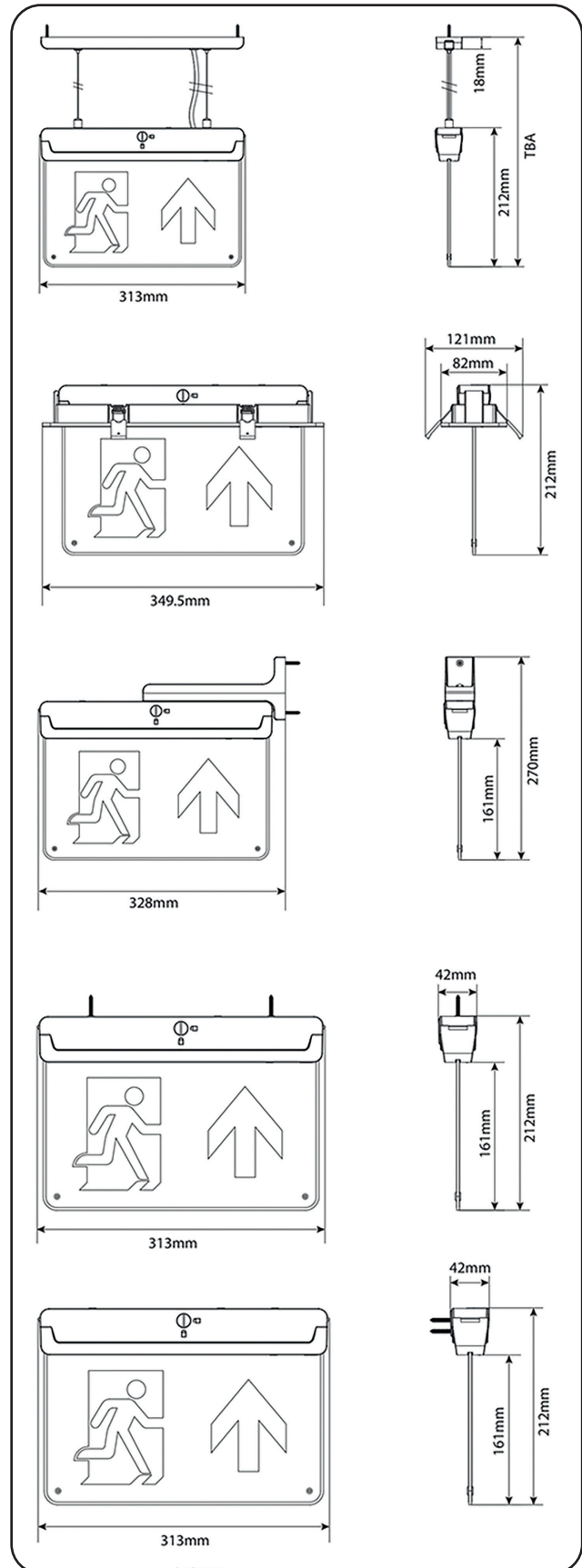
Ceiling

RAZEMEXITSGNUP



Wall

RAZEMEXITSGNUP



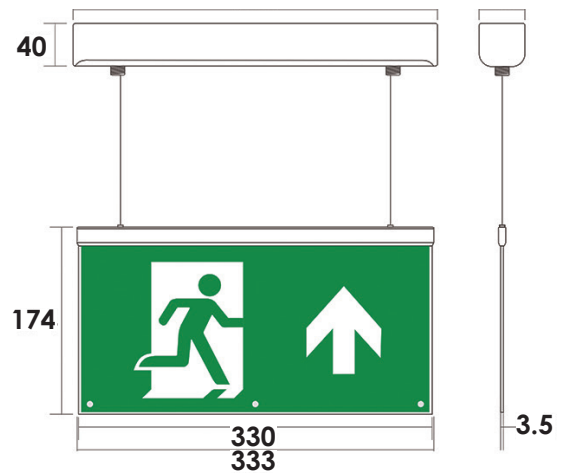
IP20 LED Emergency Hanging Sign

- ✓ Double sided, edge lit, acrylic blade
- ✓ Legends interchangeable
- ✓ LED status indicator
- ✓ Slim profile
- ✓ Ceiling mount included
- ✓ Adjustable hanging height
- ✓ Emergency operation duration 3 hours



ELLEDH1
Emergency Hanging Sign
Maintained 2W

Non-Maintained / Maintained



Additional Legends



ELLEDHDN
Down Arrow



ELLEDHR
Right Arrow



ELLEDHL
Left Arrow

ELLEDH1	
Description	Emergency Hanging Sign
Wattage	Maintained 2W
Product Weight	533g
Barcode	5012739 645464
IP Rating	IP20
Lamp Type	LED Non-replaceable
Class Type	Class I
Operating Temp Range	0°C - 40°C
Colour Temp	6500K
Lumen Output	Battery (Emergency Mode) 22 lm
Viewing Distance	24 metres
Battery Type	Ni-Cd 3.6V / 800mAh
Voltage	230V / 240V AC ~ 50Hz
Battery Life at 20°C	>4 Year
Guarantee	3 Years
Certification & Conformity	BS EN60598-2-22:2014+A1 BS EN IEC 60598-1:2021 BS EN 62471:2008 BS EN 62493:2015

* Products may differ slightly from those shown

**ULTRA SLIM
FITTING**

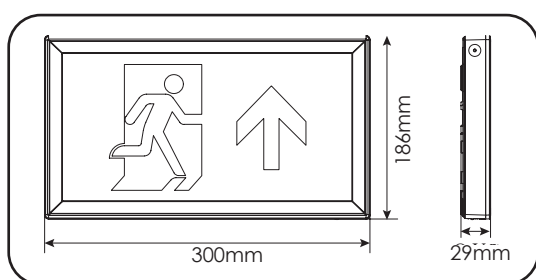
IP20 4W LED Emergency Exit Box

- ✓ Maintained
- ✓ Ultra slim modern design
- ✓ With angle adjustable down light
- ✓ Facility for remote switching
- ✓ Supplied with arrow up legend
- ✓ Other options available - Self test & Black frame
- ✓ Emergency operation duration 3 hours
- ✓ Emergency operation selectable duration 1H/3H/8H

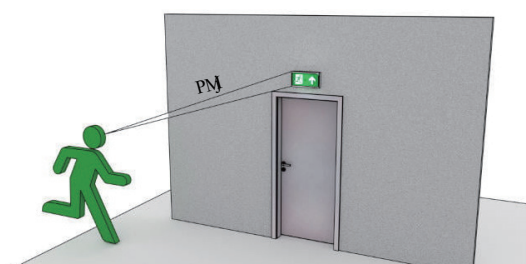


CLIFFEXITBOXUP

Dimensions



Viewing Distance



Legends



CLIFFLEGDOWN
Down Arrow Legend



CLIFFLELEFT
Left Arrow Legend

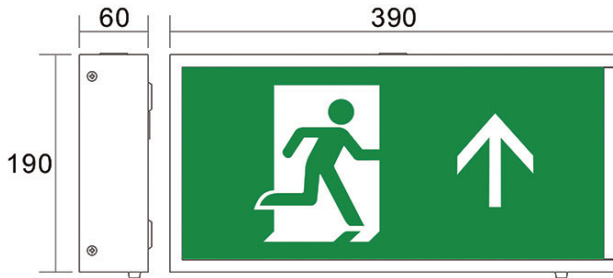


CLIFFLERIGHT
Right Arrow Legend

	CLIFFEXITBOXUP
Description	LED Exit Box supplied with 'Up' legend
Barcode	50127396654831
Voltage	220-240V~ 50.60Hz
Emergency Power	<4W
Luminaire Lumens & Emergency Lumens	10 lumens (legend) 80 lumens (downward light)
Emergency Duration	3 Hours
IP Rating	IP20
Viewing Distance	30m
Class Type	II
Colour Temperature	6500K
Ambient Temperature	5°C - 45°C
Function	Maintained
Battery Type	LiFePO4 3.2V 1.5Ah
Dimensions (mm)	L330 x W186 x D29mm
Beam Angle	103°
Mounting Type	Wall Mounting
Material	Polycarbonate
RAL Colour	RAL 9003
Product Weight	760g
Guarantee	3 years
Conforms to	BS EN 60598-2-22: 2014 + A1, BS EN IEC 60598-1:2021, BS EN 62471:2008, BS EN 62493:2015

IP20 LED Emergency Exit Sign

- ✓ Suitable for maintained and non-maintained usage
- ✓ Facility for remote switching
- ✓ Supplied with Arrow Up / Forward Legend
- ✓ Can be used with 20mm conduit
- ✓ Emergency operation duration 3 hours



ELLEDEXIT
Emergency Exit Sign
Maintained / Non-Maintained

Additional Legends

ELLEXDN
Down Arrow

ELLEXXN
Left / Right Arrow

	ELLEDEXIT
Description	Emergency Exit Sign
Wattage	Non-Maintained 4.3W
Product Weight	1400g
Barcode	5012739 645471
IP Rating	IP20
Lamp Type	LED Non-replaceable
Class Type	Class I
Operating Temp Range	0°C - 40°C
Colour Temp	6500K
Lumen Output	Battery (Emergency Mode) 34 lm
Charge Time	24 hours
Viewing Distance	24m
Battery Type	Ni-Cd 3.6V / 1800mAh
Voltage	230V / 240V AC ~ 50Hz
Battery Life	>4 Year
Guarantee	3 Years
Certification & Conformity	BS EN60598-2-22:2014+A1 BS EN IEC 60598-1:2021 BS EN 62471:2008 BS EN 62493:2015

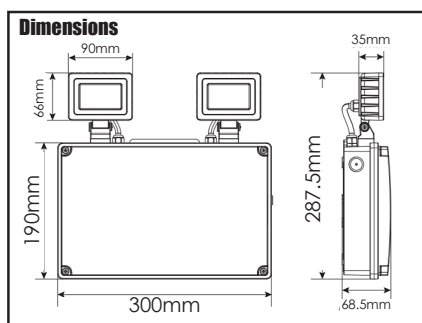
* Products may differ slightly from those shown

LED IP65 & IP20 Emergency Twin Spot

- ✓ Non Maintained
- ✓ Adjustable heads
- ✓ Modern Style
- ✓ Individual LED lamp health indicators
- ✓ Other options available for IP65 Twin Spot - Self test
- ✓ Emergency operation duration 3 hours



POWBEAMTWINIP65
LED Twin Spot - IP65

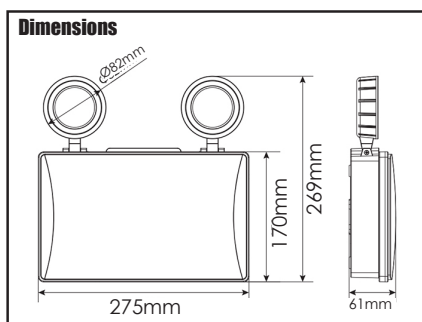


Spacing Data (1 Lux)

Mounting Height (m)	Diagram 1	Diagram 2	Diagram 3	Diagram 4	Diagram 5
2.50	5.07	12.10	11.76	11.34	4.69
3.00	5.44	13.16	12.72	12.20	5.01



POWLITETWINIP20
LED Twin Spot - IP20



Spacing Data (1 Lux)

Mounting Height (m)	Diagram 1	Diagram 2	Diagram 3	Diagram 4	Diagram 5
2.50	4.10	10.10	10.03	10.10	4.14
3.00	4.31	10.79	10.74	10.80	4.37

	POWBEAMTWINIP65	POWLITETWINIP20
Description	LED Twin Spot - IP65	LED Twin Spot - IP20
Barcode	5012739654879	5012739654886
Voltage	220-240V ~ 50.60Hz	
Emergency Power	2.2W (Charging mode) 4W (Discharge mode)	1.5W (Charging mode) 2.5W (Discharge mode)
Lumen	500 lumens (2 x 250 lms)	300 lumens (2 x 150 lms)
Emergency Lumens	540 lumens	300 lumens
IP Rating	IP65	IP20
Class Type	II	
Emergency Duration	3 Hours	
Colour Temperature	6500K	
Ambient Temperature	5°C - 45°C	
Function	Non-Maintained	
Battery Type	LiFePO4 6.4V 3.3Ah	LiFePO4 3.2V 3.3Ah
Beam Angle	120°	
Mounting Type	Wall Mounting	
Material	Polycarbonate	
RAL Colour	RAL 9003	
Product Weight	1102g	670g
Guarantee	3 Years	
Conforms to	BS EN 60598-2-22:2014+A1 BS EN IEC 60598-1:2021 BS EN 62471:2008 BS EN 62493:2015	



IP20 1.2W LED Emergency Downlight

- ✓ Non Maintained
- ✓ White bezel
- ✓ Supplied with two interchangeable lenses (open area & corridor)
- ✓ Driver & battery housing foldable for shallow ceiling voids
- ✓ Status indicator built in
- ✓ Other options available - Self test
- ✓ Emergency operation duration 3 hours



SPOTEMDL1W



Open Area Lens

Open Area Spacing Data (1 Lux)

Mounting Height (m)					
2.50	2.27	6.64	6.55	6.66	2.33
3.00	2.11	6.64	6.56	6.67	2.16



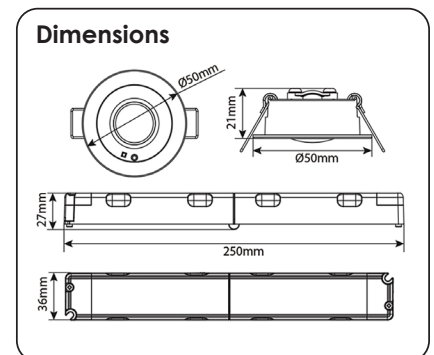
Corridor Lens

Corridor Spacing Data (1 Lux)

Mounting Height (m)					
2.50	6.22	16.80	10.46	4.65	1.53
3.00	5.08	17.17	9.87	4.49	1.40

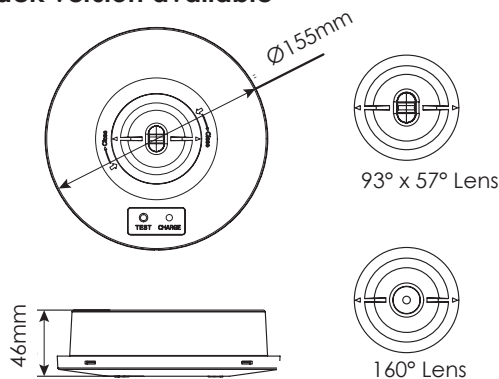
	SPOTEMDL1W
Description	LED Emergency Downlight
Barcode	5012739654893
Voltage	220-240V ~ 50.60Hz
Emergency Power	1.2W (charging power) 0.4W (charging power with full battery) 1W (Emergency mode)
Emergency Lumens	120 lumens (open area lens) 130 lumens (corridor lens)
IP Rating	IP20
Emergency Duration	3 Hours
Colour Temperature	6500K
Ambient Temperature	5°C - 45°C
Function	Non-Maintained
Battery Type	LiFePO4 3.2V 1.5Ah
Beam Angle	Open Area - 165° Corridor - 160 x 50°
Dimensions	Lamp Head: Ø50 x 21mm Cut out: Ø43 -44mm Converter: 250 x 27 x 36mm
Mounting Type	Recessed mounted
Material	Polycarbonate
RAL Colour	RAL 9003
Product Weight	180g
Guarantee	3 Years
Conforms to	EN 60598-1:2015+A1:2018, BS EN 60598-1:2015+A1:2018, EN 60598-2-2:2012, BS EN 60598-2-2:2012, EN 60598-2-22:2014+A1:2020, BS EN 60598-2-22:2014+A1:2020, EN 62493:2015, BS EN 62493:2015

Spacing Table Information	
	Wall to light (Transverse)
	Light to light (Transverse)
	Light to light (Transverse to Axial)
	Light to light (Axial to Axial)
	Light to Wall (Axial)



Emergency Surface Downlight

- ✓ Supplied with two interchangeable lenses (open area & corridor)
- ✓ For use in Escape areas
- ✓ LifePO4 battery
- ✓ Non-maintained
- ✓ Surface mounted
- ✓ 20mm conduit entry points
- ✓ Self Test available in White
- ✓ Black version available

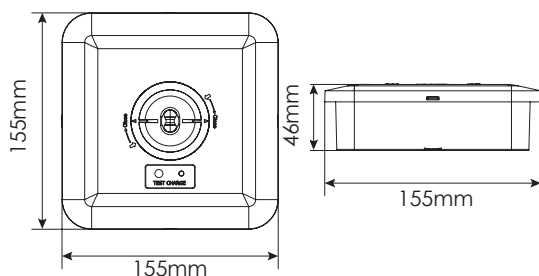


Open Area Spacing Data (1 Lux)

Mounting Height (m)	Diagram 1	Diagram 2	Diagram 3	Diagram 4	Diagram 5
2.50	5.30	13.67	13.64	13.53	5.26
3.00	5.52	14.38	14.34	14.25	5.48

Corridor Spacing Data (1 Lux)

Mounting Height (m)	Diagram 1	Diagram 2	Diagram 3	Diagram 4	Diagram 5
2.50	7.25	17.08	11.59	6.48	2.78
3.00	7.59	18.62	12.61	7.11	2.96



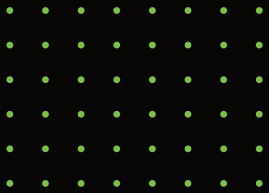
Open Area Spacing Data (1 Lux)

Mounting Height (m)	Diagram 1	Diagram 2	Diagram 3	Diagram 4	Diagram 5
2.50	5.12	13.39	13.19	13.25	5.20
3.00	5.34	14.06	13.87	13.96	5.45

	GBSR2NMWH	GBSS2NMWH
Description	Round	Square
Barcode	5012739 654947	5012739 654954
Voltage	220 - 240V / 50/60Hz	
Emergency Power	2W	
Lumen	Open area - 280lm Corridor - 230lm	
IP Rating	IP65	
Class Type	II	
Emergency Duration	3 Hours	
Colour Temperature	6500K	
Ambient Temperature	5-45°C	
Function	Non-Maintained	
Battery Type	LiFePO4 3.2V 3.0Ah	
Beam Angle	Open area - 150° Corridor - 80 x 30°	
Dimensions	Ø155 x 46mm	155 x 155 x 46mm
Mounting Type	Surface mounting	
Material	Polycarbonate	
RAL Colour	RAL 9003	
Guarantee	3 Years	
Conforms to	BS EN 60598-2-22: 2014 + A1, BS EN IEC 60598-1:2021, BS EN 62471:2008, BS EN 62493:2015	

Corridor Spacing Data (1 Lux)

Mounting Height (m)	Diagram 1	Diagram 2	Diagram 3	Diagram 4	Diagram 5
2.50	7.16	17.10	11.70	6.53	2.62
3.00	7.40	18.60	12.68	7.14	2.72



West Road . Harlow . Essex . CM20 2BG

Follow us on -

